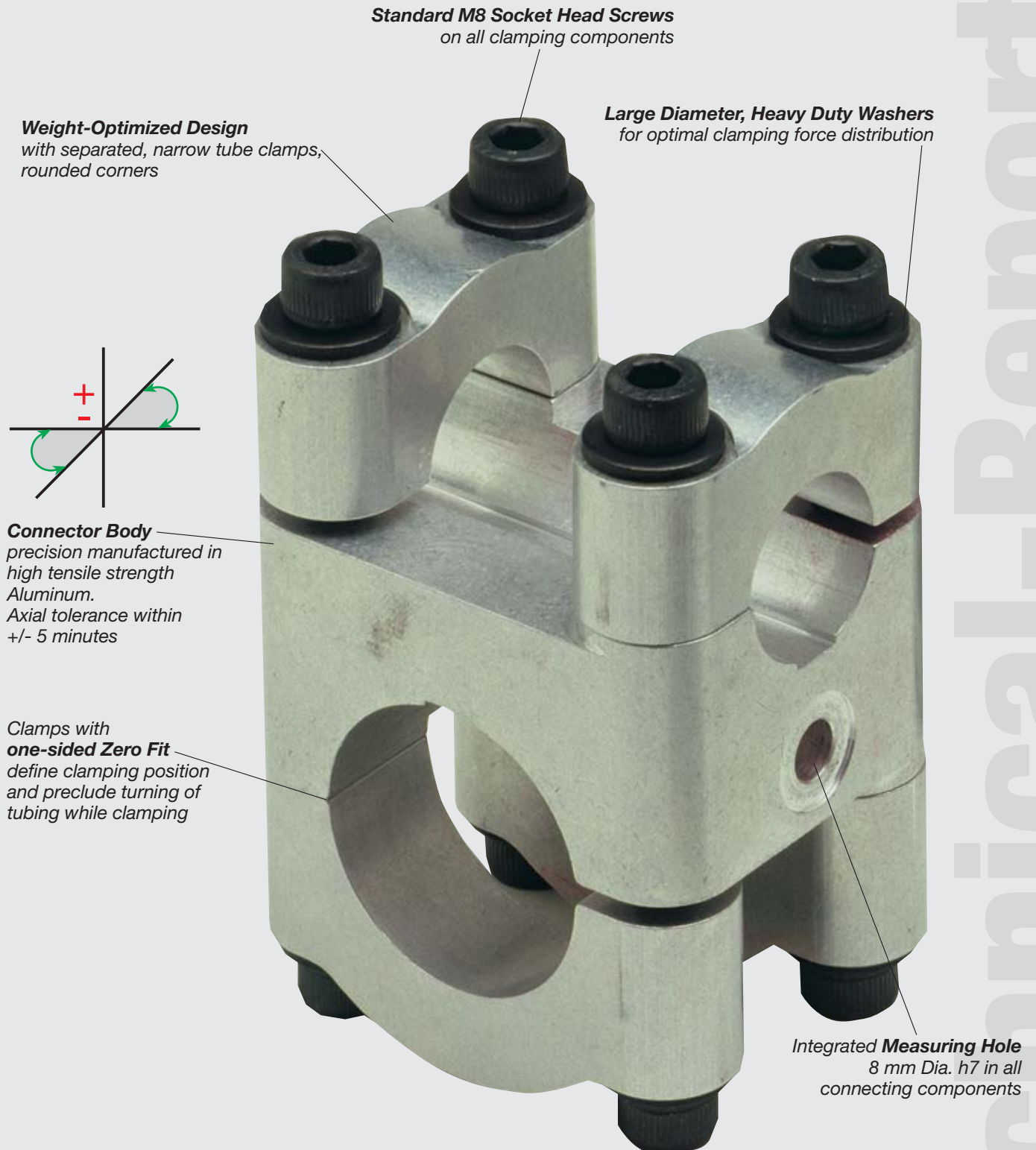


Precision Connectors GN Series

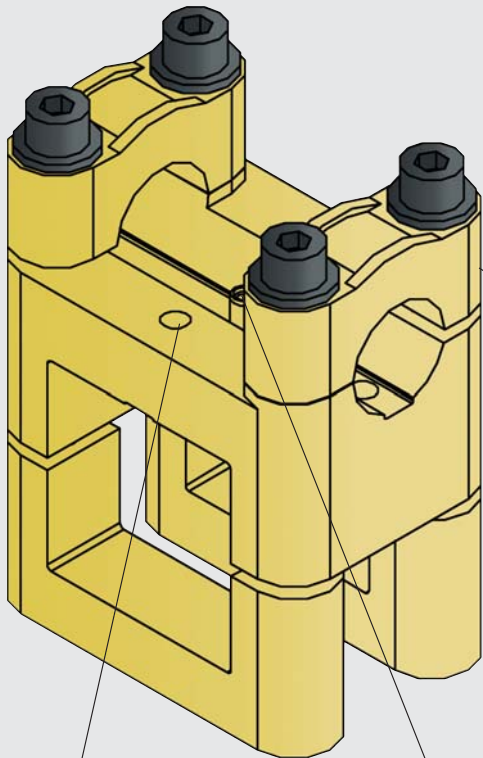
for the TÜNKERS Modular Gripper System



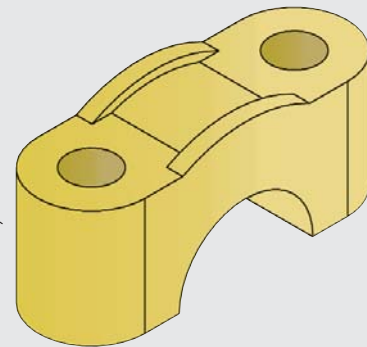
TÜNKERS®

Technical-Report

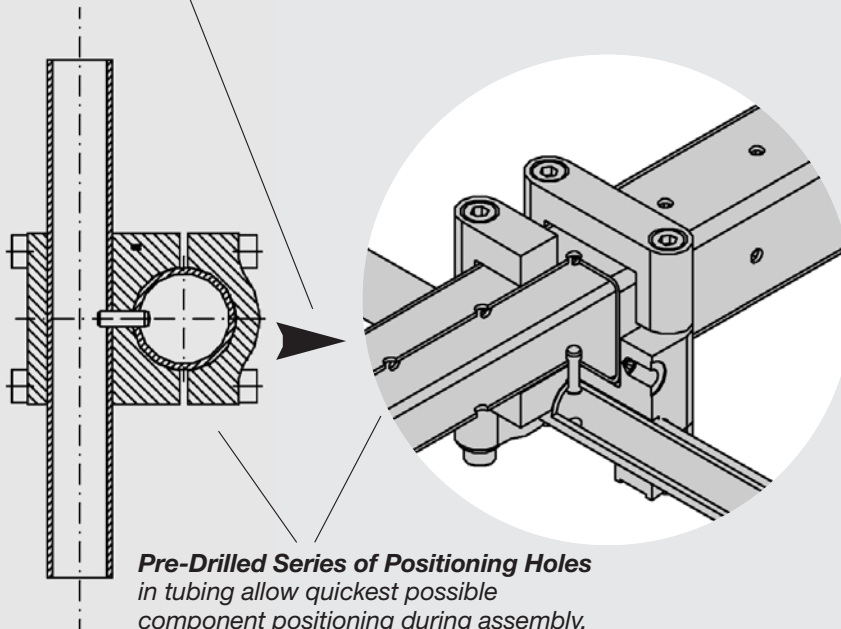
No. 6



Reference Hole
for subsequent position
documentation of
connectors



Standard Tubing Clamps
for all connectors (S25-40..)
manufactured in high tensile strength Aluminum



Pre-Drilled Series of Positioning Holes
in tubing allow quickest possible
component positioning during assembly.

Partial List of Precision Connecting Components available

- Round Tubing Connector GNK 25-25, 25-40, 40-40, 40-60
- Round to Square Tubing Connector GNK 50-25, 50-40
- Square Tubing Connector GNK 50-50, 50-30



TÜNKERS[®]

TÜNKERS[®] Maschinenbau GmbH
Am Rosenkoth 8 · DE-40880 Ratingen · Postfach 10 17 16 · DE-40837 Ratingen
Telefon (021 02) 45 17-0 · Fax (021 02) 45 17-99 99 · www.tuenkers.de